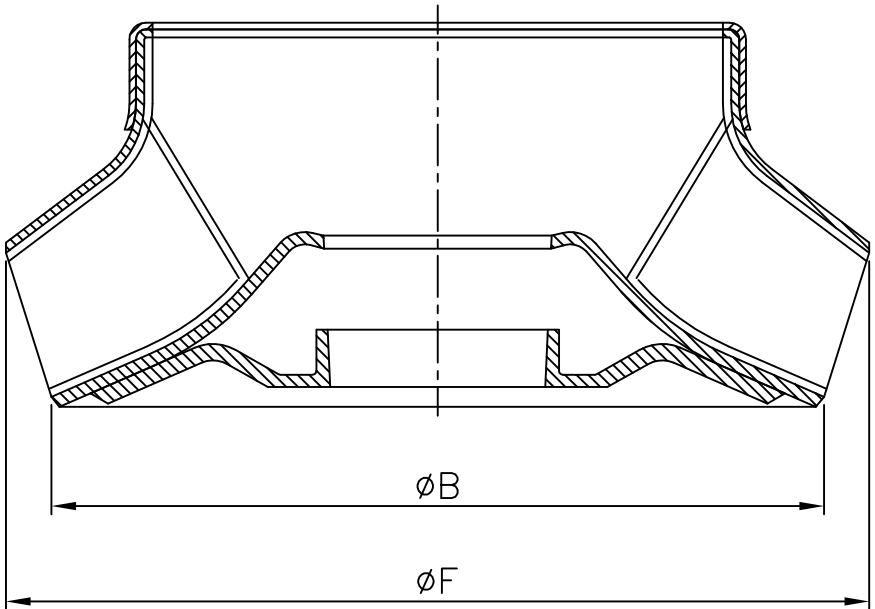



PROPRIETARY NOTICE

Neither the drawing nor the information contained herein may be copied, reproduce or otherwise used without written permission from SEI

PUMP MODEL	IMPELLER TYPE	DIA-F	DIA-B
P06-230	ACTUAL	105	98
	A	105	95.4
	B	105	86.4
P06-300	ACTUAL	105	85
	A	105	89
	B	105	85.2
P08-385	ACTUAL	125	116
	A	125	105
	B	125	100
P08-475	ACTUAL	125	116.5
	A	125	110
	B	125	103
P10-625	ACTUAL	150	137
	A	150	125
	B	150	120
P10-800	ACTUAL	155	141
	A	155	127
	B	155	122
P10-1100	ACTUAL	173.5	155
	A	173.5	130
	B	173.5	125



REV.	GRID REF.	REV.	GRID REF.	REV.	GRID REF.	REV.	GRID REF.	REV.	GRID REF.	REV.	GRID REF.
INTL.		INTL.		INTL.		INTL.		INTL.		INTL.	
DATE		DATE		DATE		DATE		DATE		DATE	

UNLESS OTHERWISE SPECIFIED DIM. ARE IN MM.&TOLERANCE WITH ISO 2768 (S : 2102)				SCALE : 1 : 1		MATERIAL	
DO NOT SCALE DRAWING				SIGN		COMPLETE UNIT	
DRN. PRAFUL 29/08/12				DATE		6",8",10" PUMP	
CHD. P.K.G 29/08/12				DESCRIPTION		IMPELLER SIZES	
APPD. P.K.G 29/08/12				DRG. NO.		SHEET REV.	
PROJECTION				DRG. NO.		SHEET REV.	
				LSB4818A		1 OF 0	



A3 420 X 297